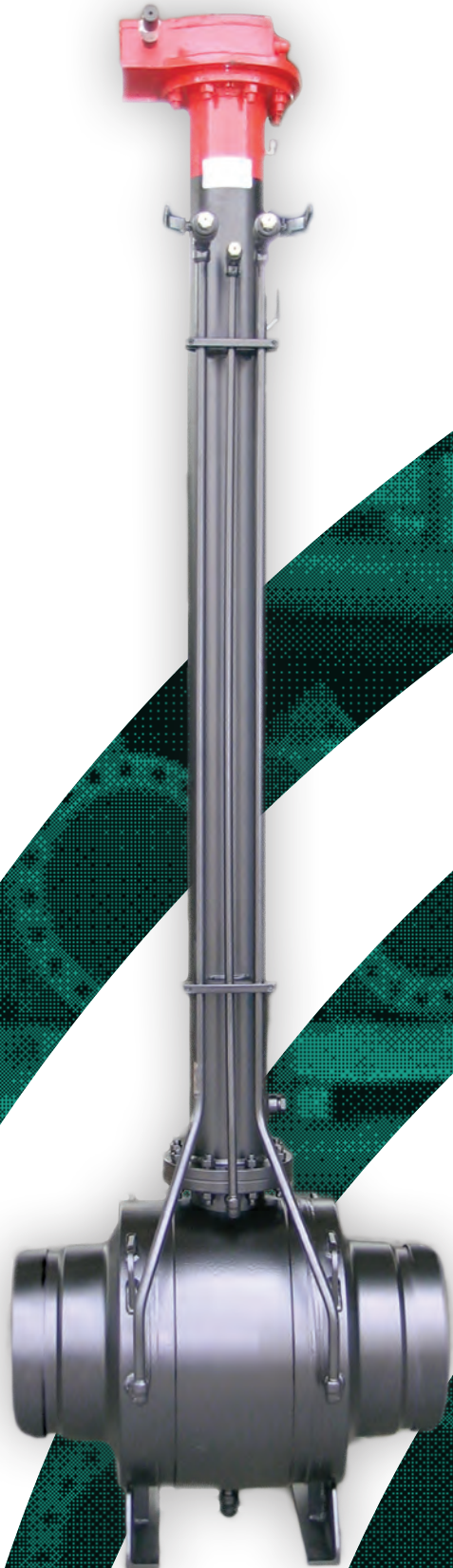




Delta Type 58/59

All-Welded Body, Trunnion-Mounted Ball Valves





Part of the Valvitalia Group

VALVITALIA is a world-wide manufacturer of valves and related products for the oil, gas and power industries. As an innovative supplier, VALVITALIA offers an array of high-quality, competitively priced products and services.



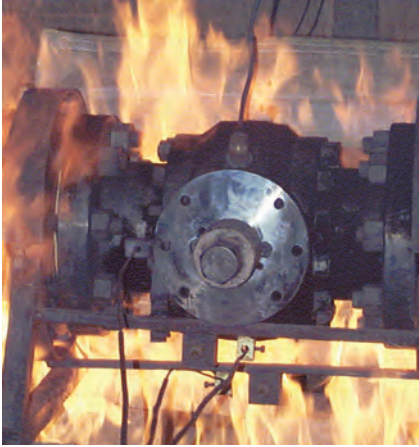


QTR is the exclusive North American Master Distributor for VALVITALIA. We are a major supplier to most companies in the oil and gas industry. With over 40 years of experience, we offer our customers many advantages over our competitors, including:

- ✦ Two facilities: Ponca City, Oklahoma and Deer Park, Texas
- ✦ Large inventory providing exceptional delivery time
- ✦ Full fabrication and coating facilities for standard, below grade, and custom applications
- ✦ In-house automation and control packages to meet your requirements

We maintain a large inventory of 2"- 42" valves in stock for immediate delivery.

Standard Features



Fire-Safe Design And Test

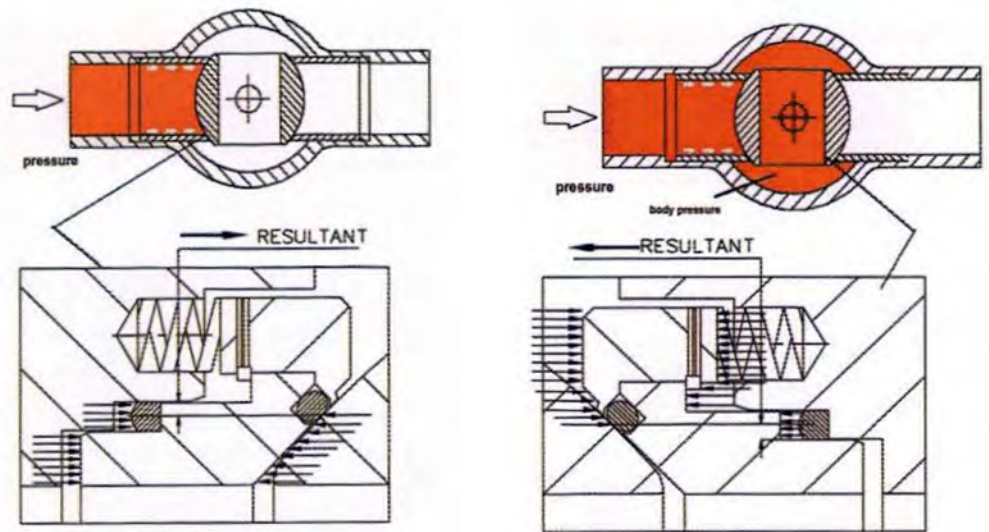
Fire-safe design is standard on all DELTA ball valves. Two O-rings and gland gasket prevent leak paths from the stem area. If fire deteriorates the O-ring seal, fluid or gas leakage is prevented by the gland gasket and the fire-safe stem packing. The DELTA ball valve has been witness-tested and certified to API 607, API 6FA and BS 6755 Pt.2.

Double Block and Bleed

As a standard feature, DELTA Trunnion Mounted Ball Valves have two seating surfaces between which the cavity can be vented through a bleed connection to confirm the seat integrity of the valve.

Double Isolation and Bleed (DIB-1)

The Double Piston Effect set configuration (DPE x DPE) creates a second barrier if leakage occurs in the upstream seat. Pressure bypassing the upstream seat enters the body cavity and pushes the downstream seat against the ball to create a second sealing surface.



Emergency Stem and Seat Sealant Injection

In case of emergency, when seat or stem seals are damaged by fire or other accidental causes, emergency sealant injection points are provided. Stem seal injection is standard on all sizes. For Type 58 ball valves, seat sealant injection is standard. For Type 59 ball valves, seat sealant injection is optional.

Valve Stem

The stem is independent of the ball and designed to be blowout proof. Self-lubricated, low friction materials used for stem and trunnion bearings ensure predictable operating torques for the lifetime of the valve.

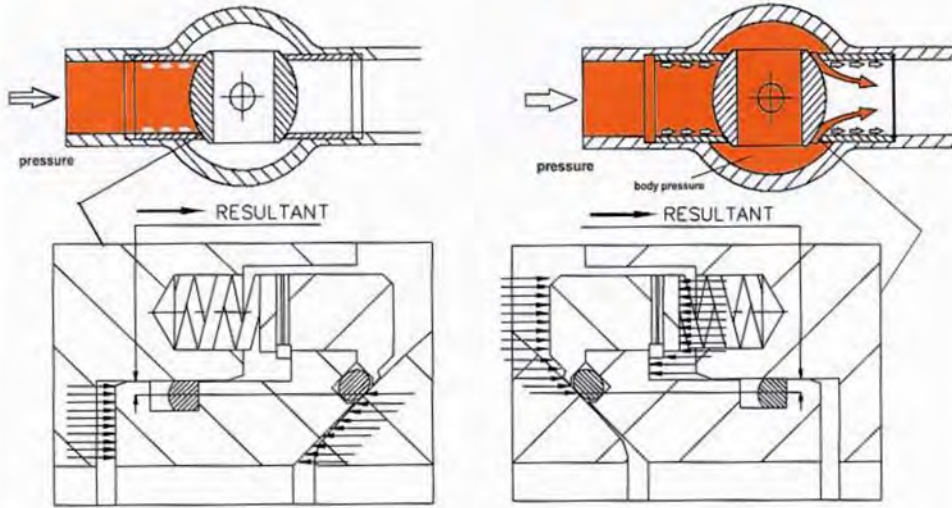
Stem Seal

Triple barrier stem sealing system features two static O-rings and a third graphite seal, which is retained by the adapter flange. Upper seal can be replaced with the valve in line and in the closed position (Type 58 standard).

Self-Relieving (SR) Seat

Self-Relieving (SR) Seats are standard in QTR stock 300 Class Type 58 and Type 59 ball valves.

Self-Relieving Valves still provide the users with Double Block and Bleed function, but allow overpressure due to thermal expansion to equalize with the pipeline. SRxSR seats still meet DBB (Double-Block and Bleed feature).



Seat Design

Type 59 ball valve: Reinforced PTFE, spring energized.

Type 58: Primary metal-to-metal and secondary Viton seal, spring energized.

Body Design

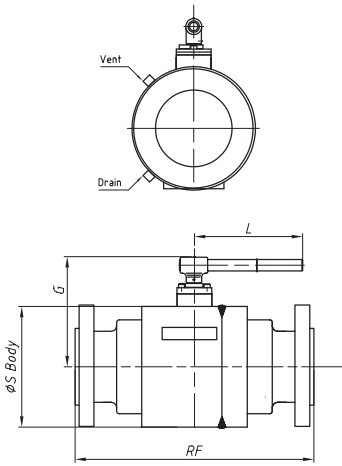
Compact, streamlined, forged steel body for maximum strength and minimum weight; A350 LF2 material ensures uniform, fine grain structure with proven toughness.

Body Vent and Drain

The drain and vent plug on the valve body enable checking the integrity of the seat ring. A bleed valve may replace the drain plug. The drain and vent opening on the valve body allows for the cavity of the valve to be vented and drained.



Type 59



STANDARD FEATURES

Size Range	2" thru 4"
Pressure Class	ANSI 150 thru 2500
All Welded Design	Standard
Antistatic Device	Standard
Self-relieving Seats	Option`
Double Piston Effect Seast (DIB-1)	Standard
Lubricated Stem	Standard
Lubricated Seats	Option
Double Block And Bleed	Standard
Seat Insert	RPTFE
Trunnion Mounted Ball	Standard
Full Bore (Port)	Standard
Reduced Bore (Port)	Option
Bidirectional	Standard
Forged Construction (A-350 LF2)	Standard
RF, BW or RTJFlanges To ASME B16.5	Standard
ANSI and API-6D End to End	Standard
API-6D Manufactured, Tested And Monogrammed	Standard
Fire Safe Design To API-607 & API-6FA (BS 6755 Pt.2)	Standard
Standard Operating Temperature	-20 F° to 350 F° (Option to -50 degrees F)

Trunnion-Mounted Ball Valve

When the ball is in fully closed position, two trunnions absorb the side thrust generated by line pressures, preventing excess friction between ball and seats. With this system, even at full-rated working pressure, operating torque stays low. Generous sizing of the trunnions, which is standard on the Delta Trunnion Mounted Ball Value, is essential to the life and operation of the valve.

The spherical surface of the ball is machined and ground to close tolerance. To reduce torque and minimize **wear, the ball is then Electroless Nickel Plated and polished to mirror finish.**

Type 59: 2" thru 4" ANSI 300 Class Dimensions

Size	Pressure Class	Dn	RF	G	Ø S Body	Legnth	Weight (Lbs.)
2	300	2.00	8.50	8.07	6.07	13.98	80
3	300	3.00	11.13	10.04	7.87	27.76	141
4	300	4.00	12.00	11.02	9.84	31.50	210

All dimensions in inches

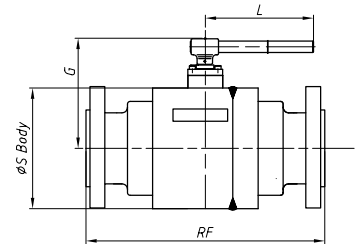
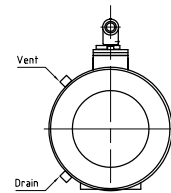
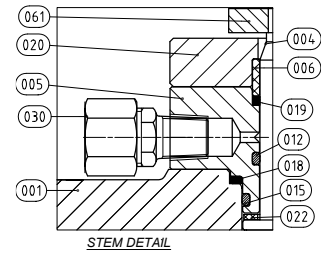
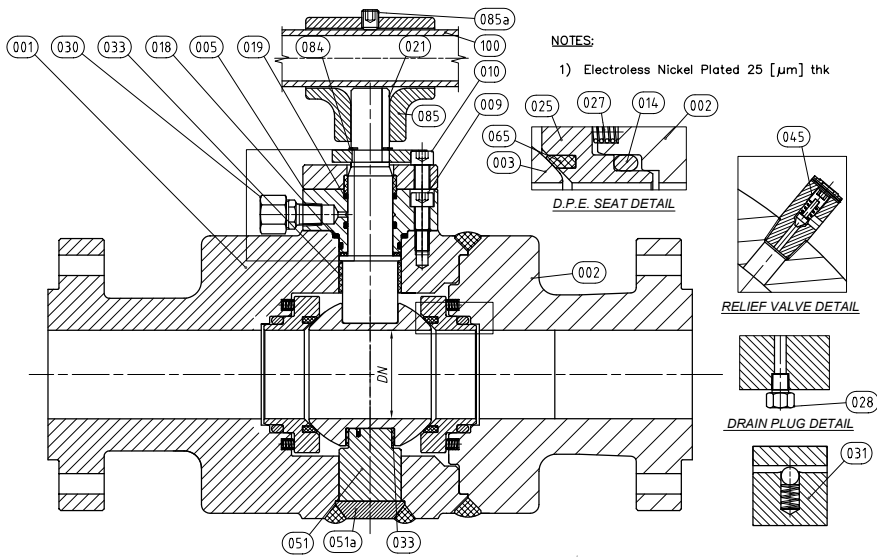
Type 59: 2" thru 4" 600 ANSI Class Dimensions

SIZE	PRESSURE CLASS	DN	RF	G	Ø S BODY	LEGNTH	WEIGHT (lbs.)
2	600	2.00	11.50	7.87	5.71	13.98	110
3	600	3.00	14.00	10.47	7.95	27.76	163
4	600	4.00	17.00	10.83	9.84	31.50	304

All dimensions in inches and are approximate – Contact us for exact information. Other sizes and pressure classes available



Type 59 Standard Materials of Construction



Type 59: 2" thru 4" ANSI 300/600 Class

Number	Description	Material	Notes
001	BODY	ASTM A350 LF2	
002	CLOSURE	ASTM A350 LF2	
003	BALL	ASTM A350 LF2	1
004	STEM	AISI 4140	1
005	TOP COVER	ASTM A350 LF2	
006	GLAND BUSHING	AISI 1018	1
009	TOP COVER CAPSCREW	ASTM A193 BM7	
010	ADAPTER PLATE CAPSCREW	ASTM A193 BM7	
012	STEM O-RING	VITON GLT	
014	SEAT GASKET O-RING	VITON GLT	
015	TOP COVER O-RING	VITON GLT	
018	TOP COVER F.S. SEAL	GRAPHITE	
019	STEM F.S. SEAL	GRAPHITE	
020	BEARING HOUSING	Fe 430 Gr. B	
021	STEM KEY	ANSI 4140	
022	UPPER THRUSH WASHER	CARBON STEEL + PTFE	
025	SEAT DEP	ASTM A350 LF2	1
027	SPRING	INCONEL X750	
028	DRAIN PLUG	ASTM A350 LF2	
030	STEM GREASE FITTING	ASTM A350 LF2	
031	ANTISTATIC DEVICE	SS 18.8	
033	BEARING	CARBON STEEL + PTFE	
045	RELIEF VALVE	SS 316	
051	LOWER TRUNNION	ASTM A350 LF2	
051a	LOWER TRUNNION FLANGE	ASTM A350 LF2	
061	STOP COLLAR	Fe 430 Gr. B	
065	SEAT INSERT	RPTFE	
084	SPACER	C75	
085	LEVER HEAD	CARBON STEEL	
085a	HEXAGON SOCKET SCREW	ASTM A193 B7M	
100	LEVER	Fe 360	

NOTES: (1) Electroless Nickel Plated 0.001" thickness



Type 58 All Welded Body



STANDARD FEATURES

Size Range	6" thru 42" (other sizes available)
Pressure Class	ANSI 150 thru 2500
All Welded Design	Standard
Antistatic Device	Standard
Self-relieving Seats	Option
Double Piston Effect Seast (DIB-1)	Standard
Lubricated Stem	Standard
Lubricated Seats	Standard
Double Block And Bleed	Standard
Seat Insert	Viton AED
Trunnion Mounted Ball	Standard
Full Bore (Port) or Reduced Bore (Port) Option	Standard
Bidirectional	Standard
Forged Construction (A-350 LF2)	Standard
RF, BW or RTJ Flanges To ASME B16.5	Standard
ANSI and API-6D End to End	Standard
API-6D Manufactured, Tested And Monogrammed	Standard
Fire Safe Design To API-607 & API-6FA (BS 6755 Pt.2)	Standard
Standard Operating Temperature	-20 degrees F to 350 degrees F Option to -50 degrees F

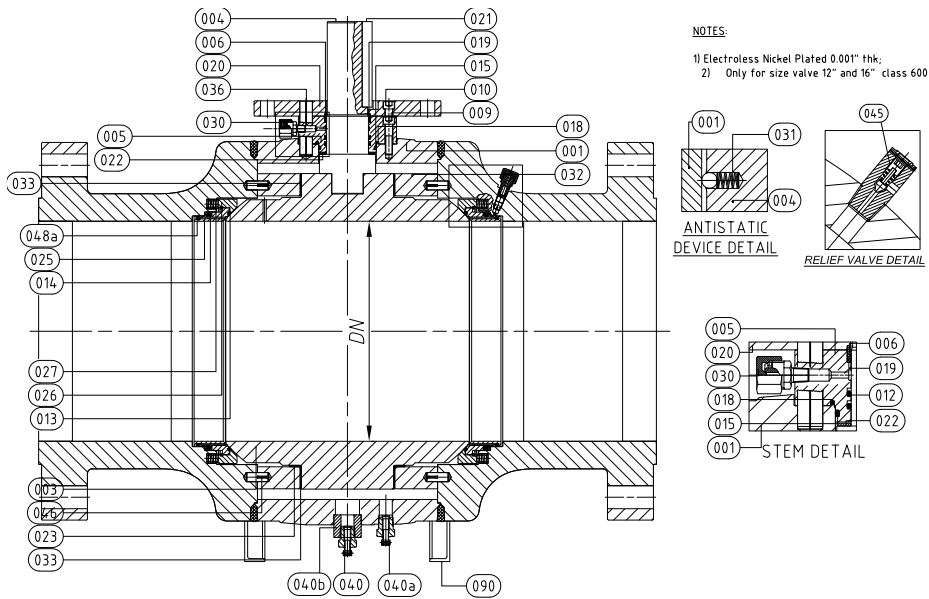
Trunnion-Mounted Ball Valve

When the ball is in fully closed position, two trunnions absorb the side thrust generated by line pressures, preventing excess friction between ball and seats. With this system, even at full-rated working pressure, operating torque stays low. Generous sizing of the trunnions, which is standard on the Delta Trunnion Mounted Ball Valve, is essential to the life and operation of the valve.

The spherical surface of the ball is machined and ground to close tolerance. To reduce torque and minimize **wear**, the ball is then **Electroless Nickel Plated and polished to mirror finish**.

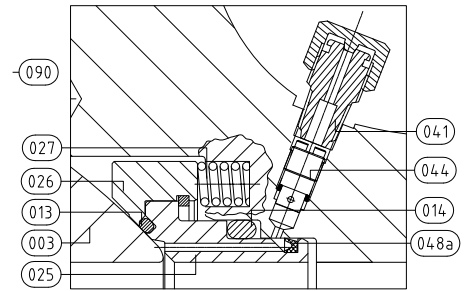


Type 58 Standard Materials of Construction



NOTES:

- 1) Electroless Nickel Plated 0.001" thk;
- 2) Only for size valve 12" and 16" class 600



Type 58: 6" thru 16" ANSI 300/600 Class Materials of Construction

Number	Description	Material	Notes
001	BODY	ASTM A350 LF2	
002a	CLOSURE	ASTM A350 LF2	2
003	BALL	ASTM A350 LF2	1
004	STEM	AIAI 4140	1
005	TOP COVER	ASTM A350 LF2	
006	GLAND BUSHING	AISI 1018	1
009	TOP COVER CAP SCREW	ASTM A193 B7M	
010	ADAPTER PLATE CAP SCREW	ASTM A193 BM7	
012	STEM O-RING	VITON AED	
013	STEM O-RING	VITON AED	
014	SEAT GASKET O-RING	VITON AED	
015	TOP COVER O-RING	VITON AED	
018	TOP COVER F.S. SEAL	GRAPHITE	
019	STEM F.S. SEAL	GRAPHITE	
020	ADAPTER PLATE	Fe 430 Gr. B	
021	STEM KEY	AISI 4140	
022	UPPER THRUST WASHER	CARBON STEEL + PTFE	
023	LOWER THRUST WASHER	CARBON STEEL + PTFE	
025	INTERNAL SEAT	ASTM A350 LF2	1
026	EXTERNAL SEAT	ASTM A350 LF2	1
027	SEAT SPRING	INCONEL X750	
030	STEM GREASE FITTING	ASATM A350 LF2	
031	ANTISTATIC DEVICE	SS 18.8	
032	BEARING RETAINER	Fe 510	
033	BEARING	CARBIN STEEL + PTFE	
036	TOP COVER PIN	C75	
040	DRAIN VALVE	AISI 316 + 17-4-PH	
040a	DRAIN VALVE	AISI 316 + 17-4-PH	
040b	ADAPTER	ASTM A350-LF2	
041	SEAT SEALANT INJ. FITTING	ASTM A350 LF2	
044	CHECK VALVE	AISI 316 SS	
045	RELIEF VALVE	AISI 316 SS	
046	BEARING RETAINER PIN	AISI 4140	
048a	U-CUP PACKING GREASE SEAL	VITON AED	
089	LIFTING LUG	Fe 430 Gr. B	
090	SUPPORT LEG	Fe 430 Gr. B	

NOTES: (1) Electroless Nickel Plated (ENP) 0.001" thickness, Only for sizes 12" and 16" 600# Class
 (2) A694 WE for 16"-42"



Type 58 Dimensions

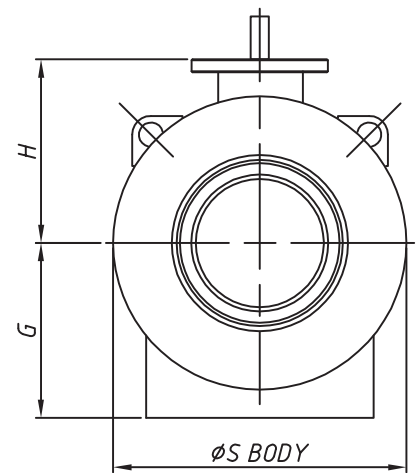
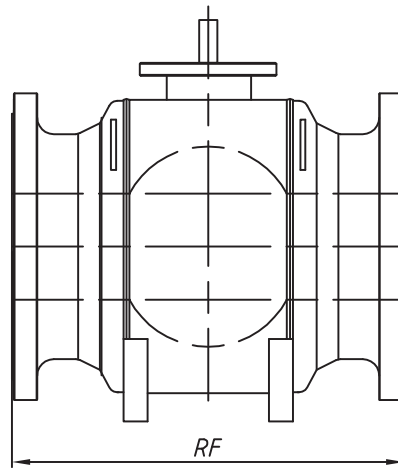


Type 58 ANSI 300 Class Dimensions

SIZE	Thru Bore (DN)	Face to Face WE	Face to Face RF	Face to Face RTJ	G	H	S	Weight lbs. WE	Weight lbs. RF/RTJ
6"	5.99"	18.00"	15.87"	*	10.63"	9.06	12.76	364	419
8"	7.99"	20.50"	19.75"	*	11.81"	10.35"	15.67"	562	672
10"	10.00"	22.00"	22.38"	*	12.99"	11.97"	18.90"	926	1080
12"	12.00"	25.00"	25.50"	*	16.14"	13.62"	22.24"	1565	1764
16"	15.24"	33.00"	33.00"	*	17.64"	16.38"	27.17"	2580	2998
20"	19.25"	39.00"	39.00"	39.75"	23.23"	19.50"	32.27"	3307	3925
24"	23.27"	45.00"	45.00"	45.88"	26.38"	22.64"	39.37"	5600	6702
30"	29.02"	55.00"	55.00"	56.00"	31.70"	27.56"	49.21"	9767	11530
36"	34.49"	68.00"	68.00"	69.13"	35.83"	32.48	57.48	14815	17108
42"	40.24"	*	*	*	40.75"	38.19"	68.11"	26015	29101

* Consult Factory

All dimensions are approximate - Contact us for exact information. Other sizes and pressure classes available



Type 58 ANSI 600 Class Dimensions

SIZE	Thru Bore (DN)	Face to Face WE	Face to Face RF	Face to Face RTJ	G	H	S	Weight lbs. WE	Weight lbs. RF/RTJ
6"	5.98"	22.00"	22.00"	22.13"	12.20"	8.46"	12.40"	507	640
8"	7.99"	26.00"	26.00"	26.13"	13.78"	10.04"	16.14"	512	644
10"	10.00"	31.00"	31.00"	31.13"	15.36"	11.62"	18.90"	688	865
12"	12.00"	33.00"	33.00"	33.13"	16.93"	13.59"	22.25"	1054	1297
16"	15.24"	39.00"	39.00"	39.13"	20.67"	16.34"	27.37"	2328	2857
20"	19.25"	47.00"	47.00"	47.25"	23.82"	19.49"	33.86"	4080	4895
24"	23.27"	55.00"	55.00"	55.38"	27.17"	22.64"	40.16"	7038	8360
30"	29.02"	65.00"	65.00"	65.50"	32.68"	27.56"	50.20"	12142	14280
36"	34.49"	82.00"	82.00"	82.63"	37.00"	32.48"	58.66"	19380	23590
42"	40.24"	80.00"	66.50***	*	42.13"	38.19"	68.11"	31394	35120

* Consult Factory **Compact Design

All dimensions are approximate - Contact us for exact information. Other sizes and pressure classes available



**Receipt of API
certification
ensures
that ball
valves have
met high
standards for
the industry.**



**6D - 1652
6D - 1651**

API certification involves stringent requirements for design, testing, documentation and safety of ball valves used in the petroleum and natural gas industries. Receipt of API certification ensures that ball valves have met high standards for the industry.

Quarter Turn Resources is a Certified API-6D and API Q1 company. Our facilities in Oklahoma and Texas have been evaluated and certified by API. We can custom build a valve to suit your needs. Every valve we deliver is tested to meet or exceed API Specifications or to your company's standards. With annual inspections by API to customer's in-house or contract inspectors, a rigorous Quality Control Program, QTR strives to deliver to you the best quality valves and accessories to meet every specification.

API 6D Specification is the industry standard for pipeline and piping valves in the petroleum and natural gas industries. The specification covers the design and manufacture, testing and documentation standards.

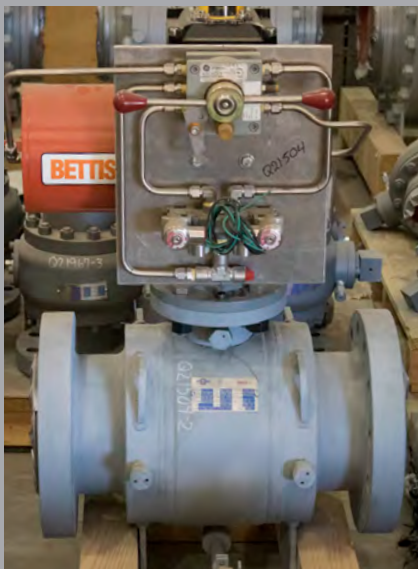
📍 Quarter Turn Resources, Inc.
3505 W. North Avenue
Ponca City, OK 74601

📍 Quarter Turn Resources, Inc.
714 W. 13th Street
Deer Park, TX 77536



Valve Accessories

- Custom or standard length stem extensions include piping and fittings to raise the body drain, body vent and emergency sealant injection fittings above ground level
- Custom and standard coatings available
- Customer-supplied or QTR-supplied pipe-pups welded by certified welders





Value Automation

- ⚙️ Pneumatic, Gas over Oil and Electric Actuation Packages
- ⚙️ Custom-mounted controls
- ⚙️ Single source responsibility for complete automation package
- ⚙️ Custom control packages



Additional Products

QTR also sells and stocks other valve types, including:

- ✿ DELTA Lubricated Plug Valves
- ✿ VITAS Full Open Swing Check Valves
- ✿ VITAS Expanding Gate Valves
- ✿ VITAS Slab Gate Valves



Type 54/55

Quarter Turn Resources also provides Type 54 and 55 side-entry, trunnion-mounted ball valves. With facilities in Oklahoma and Texas, we provide standard or custom products built to your specifications. Please see our extensive brochure, Type 54 and 55, or contact us for more information.

STANDARD FEATURES	TYPE 54	TYPE 55
Size Range	2" thru 4" (other sizes available)	6" thru 36" (other sizes available)
Pressure Class	ANSI 150 thru 2500	ANSI 150 thru 2500
Three Piece Bolted Body	Standard	Standard
Antistatic Device	Standard	Standard
Self-relieving Seats	Standard	Option
Double Piston Effect Seast (DIB-1)	Option	Standard
Lubricated Stem	Standard	Standard
Lubricated Seats	Option	Standard
Double Block And Bleed	Standard	Standard
Metal to Metal Seats	Option	Option
Trunnion Mounted Ball	Standard	Standard
Full Bore (Port) or Reduced Bore (Port) Option	Standard	Standard
Bidirectional	Standard	Standard
Forged Construction (A-350 LF2)	Standard	Standard
RF, BW or RTJ Flanges To ASME B16.5	Standard	Standard
ANSI and API-6D End to End	Standard	Standard
API-6D Manufactured, Tested And Monogrammed	Standard	Standard
Fire Safe Design To API-607 & API-6FA (BS 6755 Pt.2)	Standard	Standard
Standard Operating Temperature	-20 degrees F to 350 degrees F Option to -50 degrees F	-20 degrees F to 350 degrees F Option to -50 degrees F





Quarter Turn Resources, Inc.
P.O. Box 1455
Ponca City, OK 74601

714 W. 13th Street
Deer Park, TX 77536

Toll-Free 1-866-765-0183
Phone 1-580-765-0183
Fax 1-580-765-0182

Email sales@qtrinc.biz
www.qtrinc.biz

REPRESENTATIVE