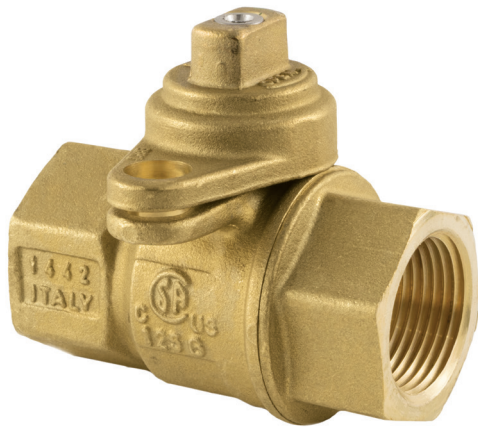


# Lockwing

## Utility Gas Ball Valve • Full Port • 125 PSIG



Brass

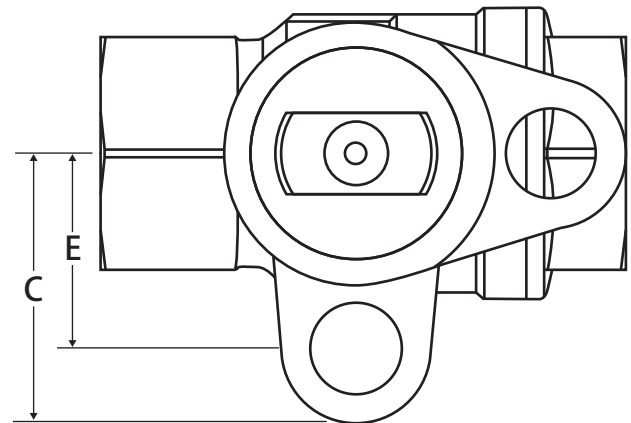
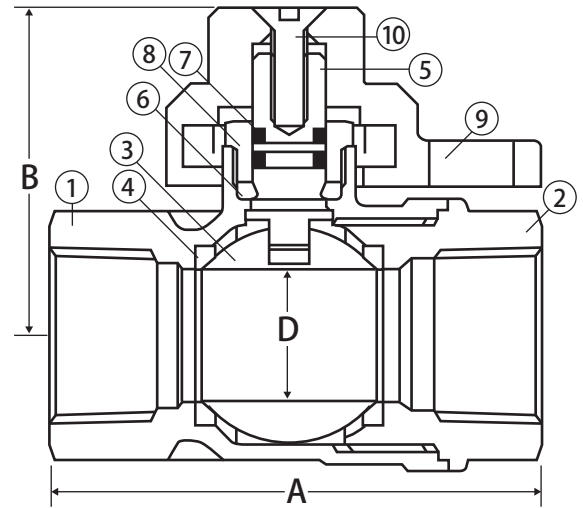


Painted



MIP x FIP

**125-LWN**



### Features

- Tamper resistant lockwing cap
- 2 Viton® o-rings
- Full port design to accommodate industry leading stop changers
- Lockwing accommodates standard barrel locks
- Maintenance free design
- 100% leak tested
- 100% Made in Italy
- Leakproof stem - Lifetime Warranty

### Approvals

- CSA Certified
  - CGA 3.16 (125G)
  - ANSI B16.33 (125G)
- Meets or exceeds applicable part of DOT 192
- MSS SP-110

### Pressure Rating

- 125 PSIG
- Temp range: -40°F to 300°F

### Material Specifications

No.	Part	Materials
1	Body*	Brass - CW617N
2	End Connection*	Brass - CW617N
3	Ball	Chrome Plated Brass - CW617N
4	Seat (2)	Hostaflo® TFM 1600
5	Stem	Brass - CW614N
6	Packing	Buna-N
7	Stem O-ring (2)	Viton®
8	Packing Gland	Brass - CW614N
9	Lockwing Cap*	Brass - CW617N
10	Screw	304 Stainless Steel

\*Component may be AGA painted depending upon selection

### Dimensions

Part No.	Size	A	B	C	D	E
<b>FIP x FIP</b>						
242-004_	3/4"	2.91	1.87	1.50	0.79	1.08
242-005_	1"	3.40	2.24	1.73	0.97	1.30
<b>MIP x FIP</b>						
246-005B	1"	3.73	2.24	1.73	0.97	1.30

\_ = Specify coating: B = Brass, P = Painted