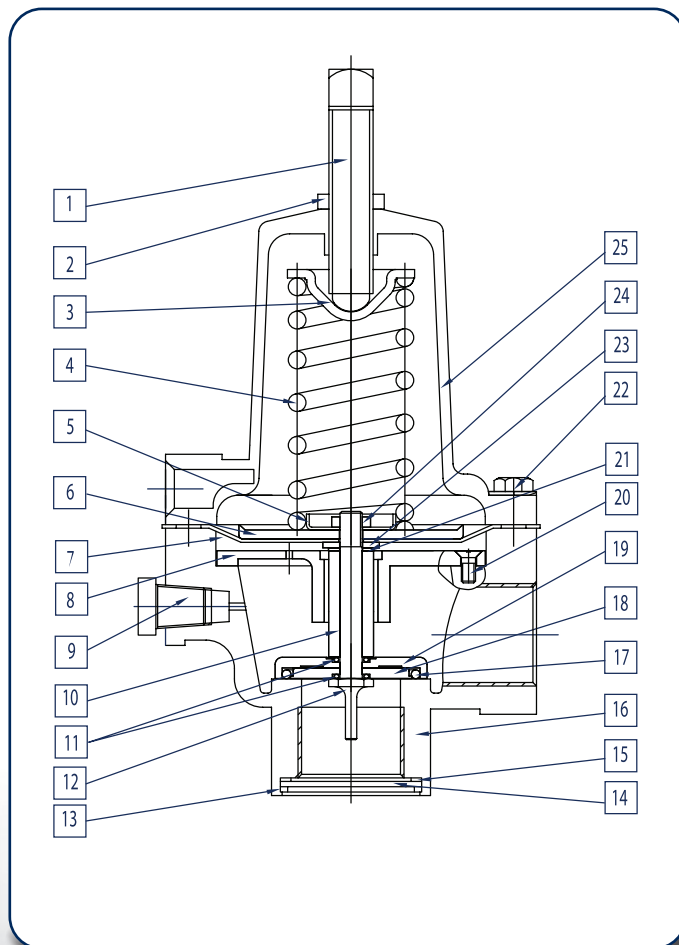
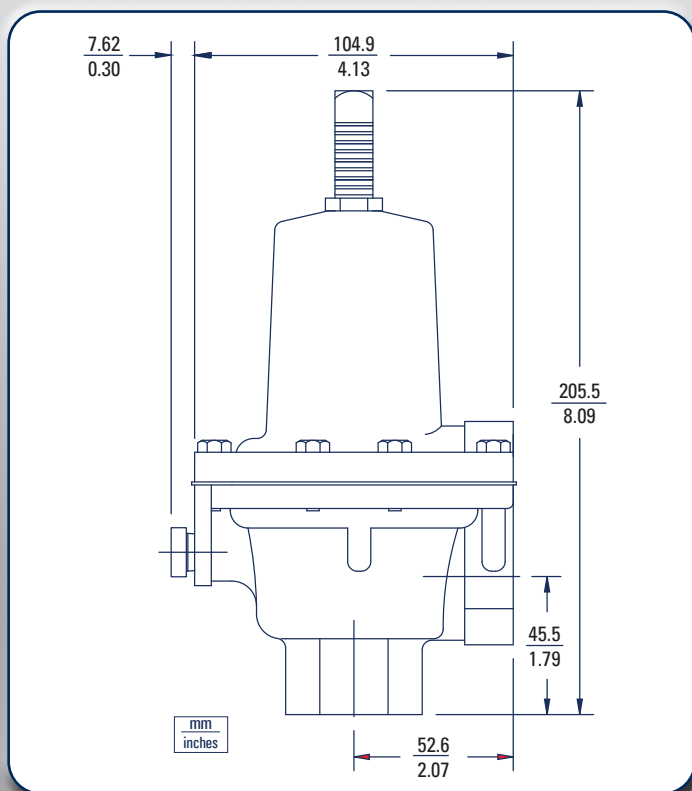


P289 1" Parts

Item	Description	Qty.	Part Number
1	Adjusting Screw, Plated Steel	1	648-487-000
2	Hex Nut, Plated Steel	1	634-154-000
3	Spring Guide, plated steel	1	626-079-000
4	Spring	1	1-4.5 PSIG (0.1-0.3 BAR), Pink
			4-15 PSIG (0.3-1 BAR), Red
			10-20 PSIG (0.7-1.4 BAR), Silver
			15-50 PSIG (1-3.4 BAR), & 45-75 PSIG (3.1-5.2 BAR), Green
5	Piston Retainer, Plated Steel	1	643-191-000
6	Piston, Plated Steel (All Output Pressures other than 45-75 PSIG)	1	637-306-000
			Range 45-75 PSIG
7	Dia-phragm	1	P289 1" Nitrile
			P289 1" Fluoroelastomer
8	Stem Guide Assembly	1	814-014-000
9	Pipe Plug, Plated Steel	1	639-099-000
10	Spacer Tube, Stainless Steel	1	654-178-000
11	O-ring	2	Nitrile
			Fluoroelastomer
12	Pitot Tube, Aluminum	1	660-051-000
13	Retaining Ring, plated steel	1	644-051-000
14	Screen, Stainless Steel	1	647-018-000
15	Gasket, Neoprene	1	624-063-000
16	Body, Aluminum, 1" NPT	1	664-295-000
			Body, Aluminum, 3/4" x 1" NPT
17	O-ring	1	Nitrile
			Fluoroelastomer
18	O-ring Spacer, Aluminum	1	654-177-000
19	O-ring Piston, Aluminum	1	637-311-000
20	Machine Screw, Stainless Steel	2	648-488-000
21	Gasket, Composite	2	624-062-000
22	Machine Screw	8	648-466-005
23	Washer, Steel	1	662-204-000
24	Hex Nut, Plated Steel	1	634-162-000
25	Bonnet, Aluminum	1	604-221-000

P289 1" Dimensions



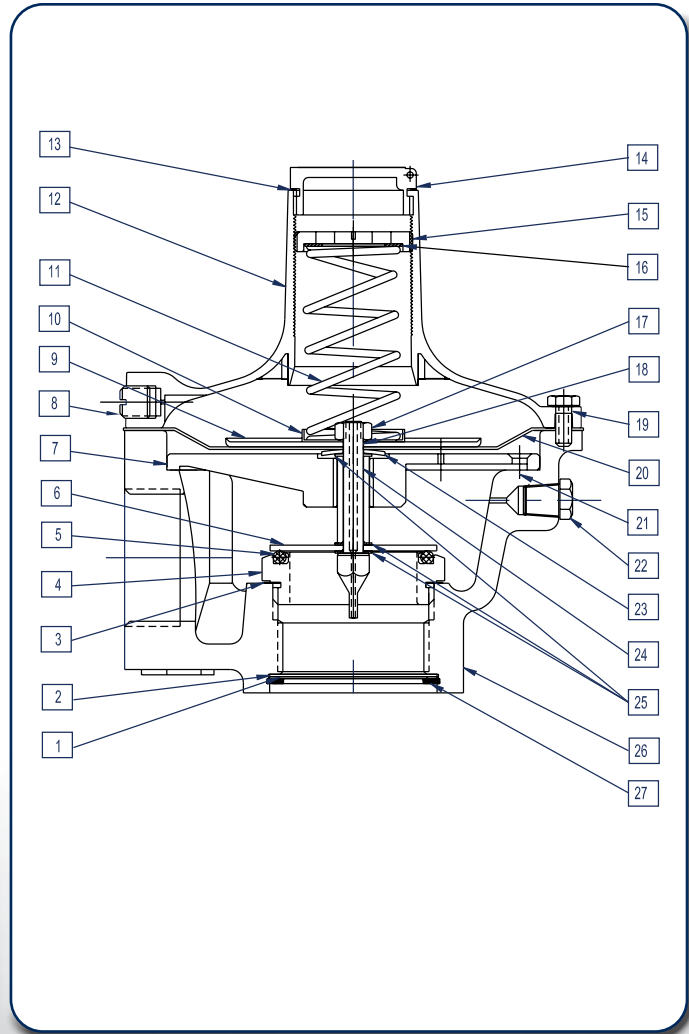
P289 1" & 3/4" x 1" Regulator Rebuild Kits

	Kit Includes	Part Number
P289 1"	Nitrile Diaphragms, Screen & Gasket	971-289-000
P289 1"	Fluorocarbon Diaphragm, Screen & Gasket	971-289-001

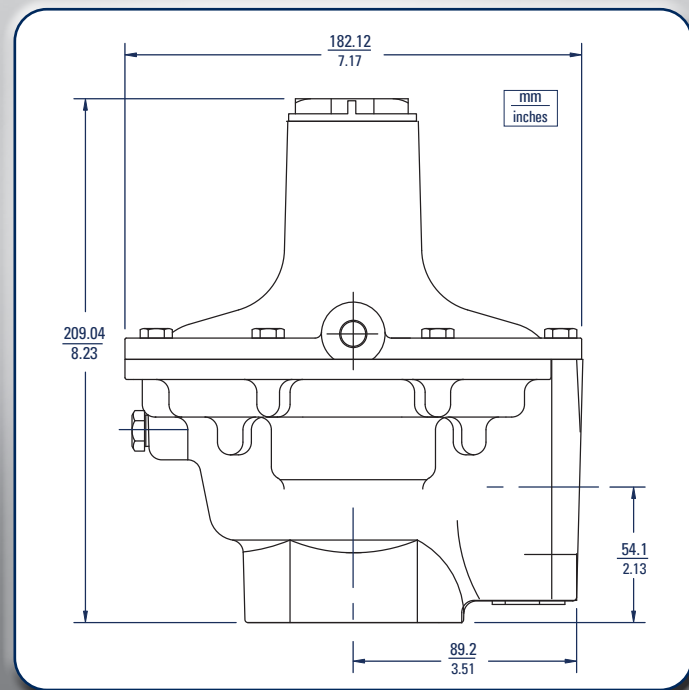


L289 & P289 2" Parts

Item	Description	Qty.	Part Number
1	Gasket, Neoprene	1	624-066-000
2	Screen, Stainless Steel	1	647-020-000
3	Seat Gasket, Neoprene	1	624-071-000
4	Main Brass	1	650-132-000
	Seat Stainless Steel		650-133-000
5	O-ring	1	Nitrile 649-302-000
			Fluoroelastomer 649-301-000
6	O-ring, Washer, Stainless Steel	1	662-207-000
7	Stem Guide Assembly, Cast Iron & Brass	1	814-015-000
8	Upper Pipe Plug	1	639-102-000
9	Diaphragm Head, Plated Steel	1	637-315-000
10	Lower Spring Retainer, Zinc Plated Steel	1	643-197-000
11	Spring	1	5 to 10" W.C. , Olive 655-732-001
			7 to 18" W.C. , Dark Blue 655-691-000
			12 to 40" W.C. , White 655-767-000
			0.5 to 2.25 PSIG (.03 to .15 BAR), Grey 655-692-000
			1.75 to 7 PSIG (.12 to .48 BAR), Dark Green 655-693-000
	4 to 10 PSIG (.27 to .69 BAR), Red Stripe 655-694-000		
12	Bonnet, Aluminum	1	604-558-000
13	Closing Cap Gasket, Neoprene	1	624-069-000
14	Closing Cap, Acetal	1	610-056-000
15	Adjusting Screw, Zinc	1	648-499-000
16	Upper Spring Seat Washer, Aluminum	1	662-206-000
17	Hex Nut, Plated Steel	1	634-173-000
18	Pitot Tube	1	Brass 660-053-000
			Stainless Steel 660-054-000
19	Machine Bolt, Stainless Steel	8	648-466-000
20	Dia-phragm	1	Nitrile 618-071-000
			Fluoroelastomer 618-071-001
21	Machine Screw, Stainless Steel	4	648-500-000
22	Low Pipe Plug, Plated Steel	1	639-099-000
23	Snap Washer, Plated Steel	1	662-208-000
24	Spacer	1	Brass 654-181-000
			Stainless Steel 654-182-000
25	Gasket, Neoprene	3	624-065-000
26	Body	1	3/4" x 2" Aluminum (L289) 664-303-000
			1" x 2" Aluminum (L289) 664-303-001
			2" x 2" Aluminum (L289) 664-303-002
			2" x 2" Iron (P289) 664-302-000
27	Retaining Ring, Plated Steel	1	644-054-000

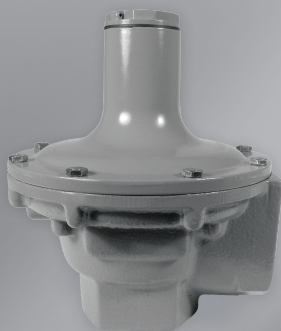


P289 2" Dimensions

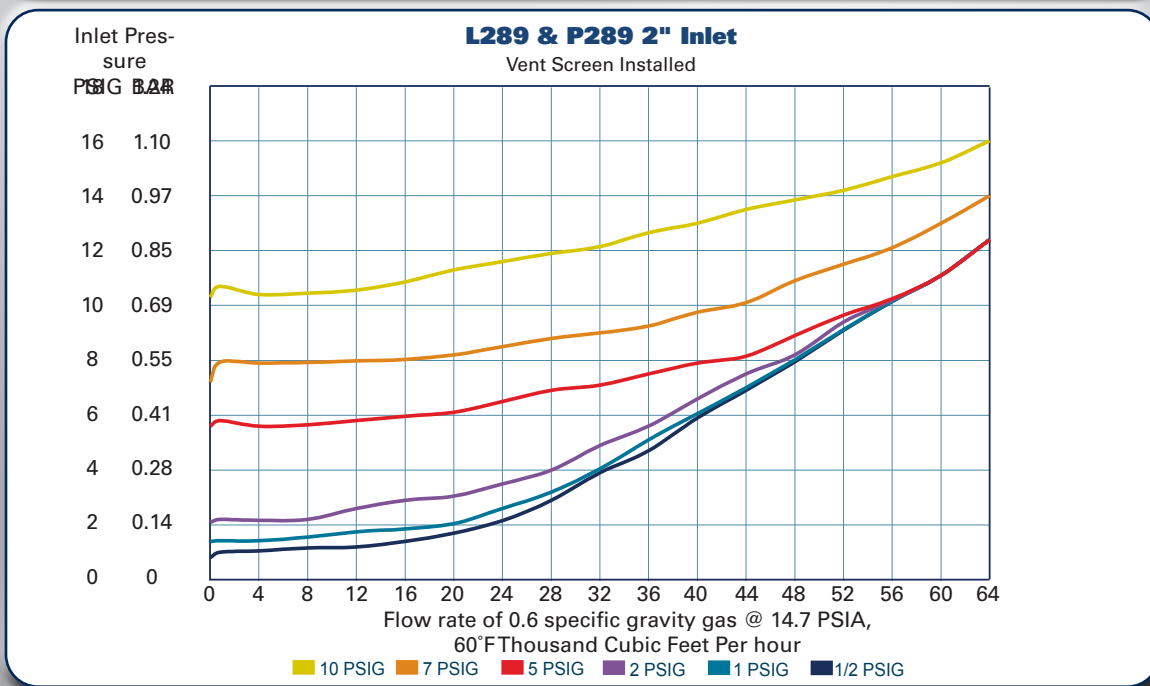
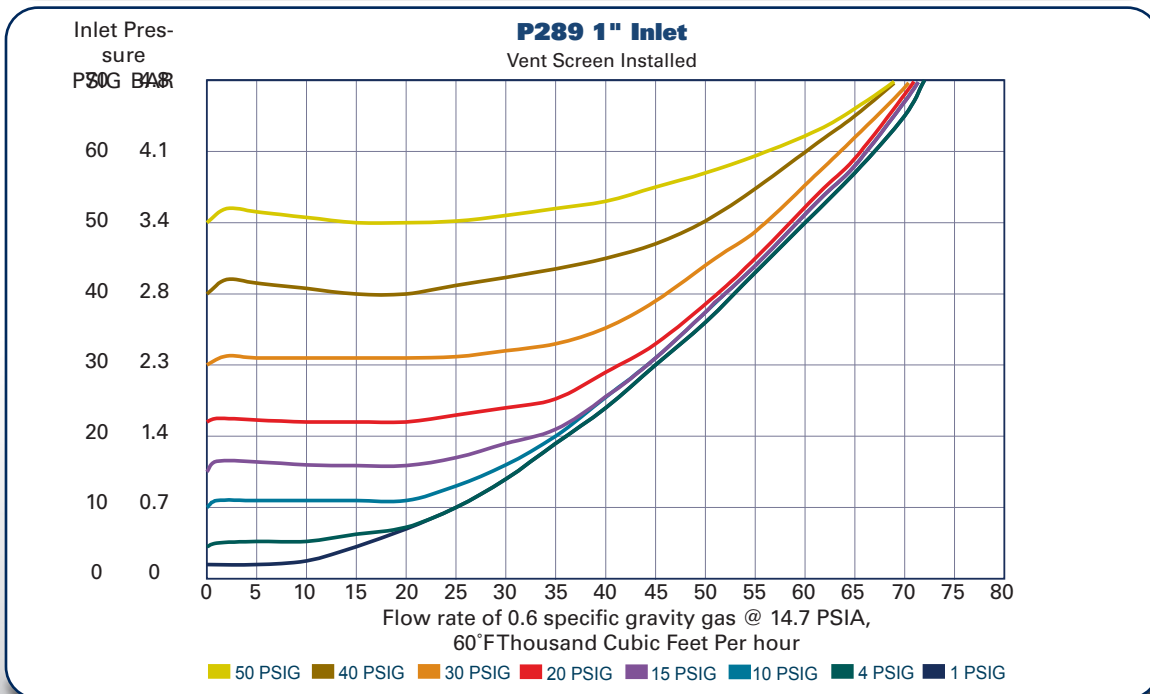
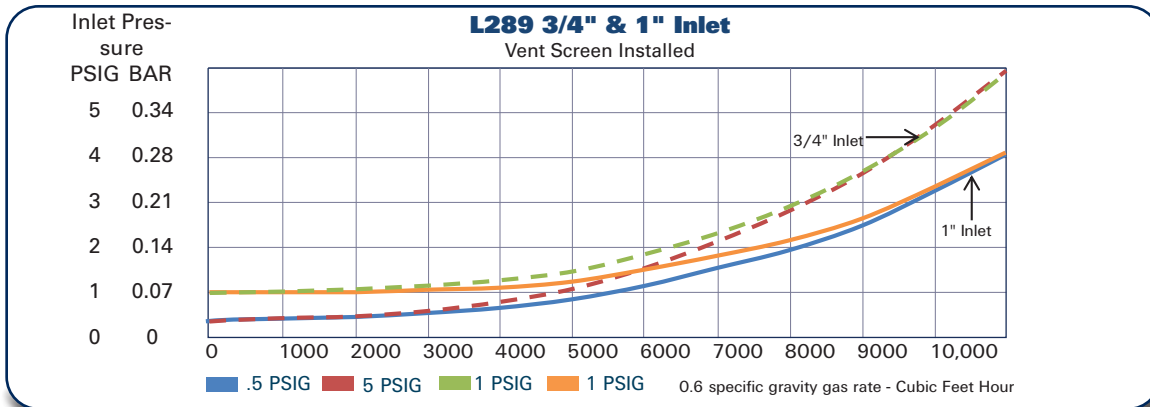


P289 2" Regulator Rebuild Kits

	Kit Includes	Part Number
P289 2"	Nitrile Diaphragms, Screen, Screen Gasket (Neoprene), Composite Gas-kets (Qty.3)	971-289-002
P289 2"	Fluorocarbon Diaphragm, Screen, Screen Gasket (Neoprene), Composite Gas-kets (Qty. 3)	971-289-003



L289 & P289 Flow Rates



BelGAS

A Division of the Marsh Bellofram Group of Companies

8019 Ohio River Blvd.
Newell, WV 26050
(304) 387-1200 | www.belgas.net



BelGAS Website

With decades of proven market experience, the BelGAS division of Marsh Bellofram is a global leader in the design and manufacturing of high pressure regulators, low pressure regulators, and other flow control products. Scan the QR or visit our website at <https://bit.ly/BelGAS>



BelGAS Regulator Sizing Wizard

Need help finding the right regulator for your application? Check out the BelGAS Regulator Sizing Wizard - an interactive online tool that makes it easier than ever to precisely match a regulator with your specifications. Scan the QR code or visit our website at <https://bit.ly/BelGAS-Wizard>



BelGAS Videos

Interested in learning more about what BelGAS has to offer? Visit our YouTube channel and check out the BelGAS playlist for How-Tos, product overviews, and more! Scan the QR code or watch the videos on our YouTube channel at <https://bit.ly/BelGAS-YouTube-List>



The contents of this publication are presented for informational purposes only. Although we have made reasonable efforts to give information that we believe is up-to-date and accurate, we make no representations or warranties regarding its adequacy, accuracy, completeness, or correctness. We do not warrant or represent that the information is complete in every respect. Our terms and conditions, which are available upon request, govern all sales. We reserve the right to modify or improve the designs and specifications of our products, and the information contained in this document is subject to change without notice.

We reserve the right to modify or improve the designs or specifications of our products and the information contained in this document is subject to change without notice. The user is solely responsible for making the final selection of the product and assuring that all installation, performance, endurance, maintenance, safety, and warning requirements of the product are met. Final product recommendations should be verified by a gas professional.

BelGAS does not assume responsibility for its products' selection, use, or maintenance. Neither BelGAS nor its suppliers shall be liable for any loss or damage to the user or third parties caused by the product, the confidential information of BelGAS, or BelGAS's performance of these terms.